

## TECHNICAL CARD

### PRODUCT NAME

Bolt 420 galvanized, base 21mm

### ITEM CODE

30.017

### EAN

5901431940291

### TECHNICAL DATA

Material – S235JR steel

Weight of 1 pc – 0.82 kg

Coating – galvanic zinc

Color – white zinc

### APPLICATION

Bolt for fitting fencing and garage hinged doors/gates.

Closure allows door leaf to be locked in both positions – open and close.

The product has a **National Technical Assessment** issued by the Building Research Institute,  
**No. ITB-KOT-2025/2977, Issue 1**

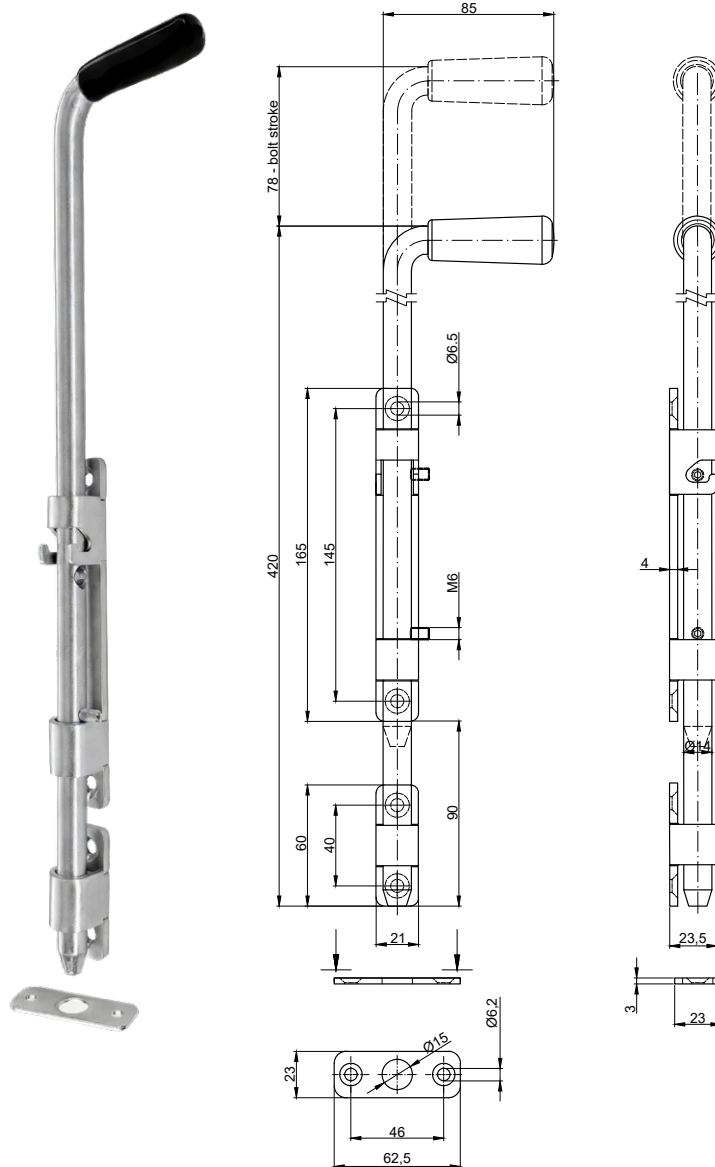
### PRODUCER

KOMET

A.J. Bujak K. Grymel-Bujak s.c.

### INNOVATION

Product protected by patent low number EUIPO: 008800973-0001



NOTES: All technical data are approximate values. The manufacturer reserves the right to correct the product and change the technical conditions with the possibility of making changes inside the specification. This information cannot be considered as a guarantee, nor is it legally binding in any way.

