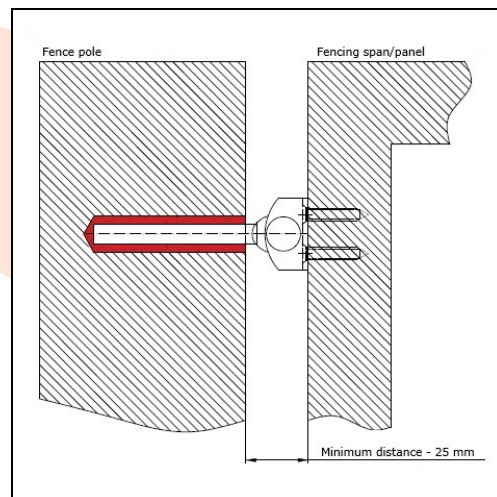
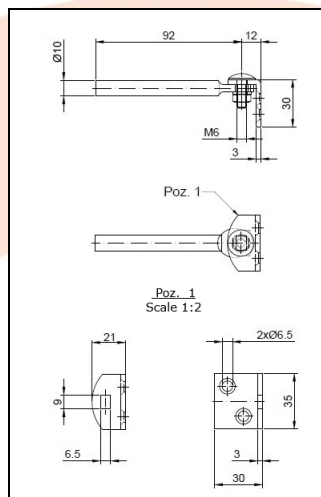


TECHNICAL CARD



PRODUCT NAME : Connector of fencing span for wood 4 pcs - set

ITEM CODE : 30.501

TECHNICAL DATA : Material – S235JR steel
Weight of 1 pc – 0,42 kg
Coating – galvanic zinc
Color – white zinc

APPLICATION : The connector is used for mounting panels / fencing spans.

PRODUCER : Komet company – Polish producer of construction hardware for gates.

INNOVATION : Product protected by patent low W.123063

NOTES : All technical data are approximate values. The manufacturer reserves the right to correct the product and change the technical conditions with the possibility of making changes inside the specification. This information cannot be considered as a guarantee, nor is it legally binding in any way.