

## TECHNICAL CARD

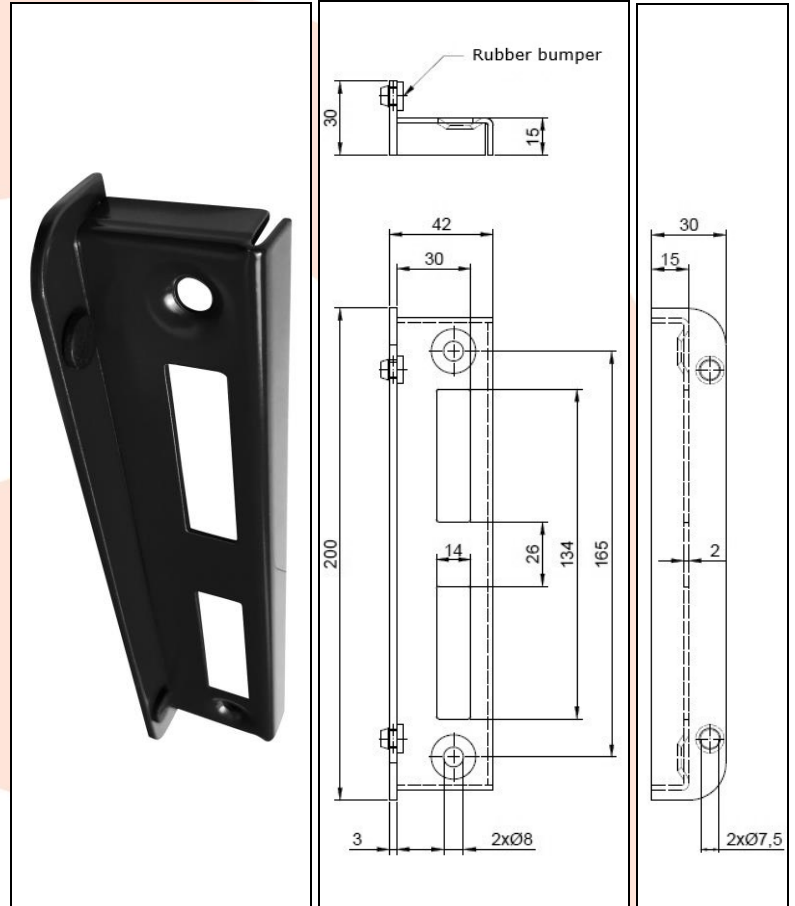
**PRODUCT NAME** : Wicket gate limiter,  
galvanized  
+ RAL9005 - semi-matt

**ITEM CODE** : 30.417

**TECHNICAL DATA** : Material – S235JR steel  
Weight of 1 pc – 0,29 kg  
Coating – galvanic zinc +  
powder painting  
Color – white zinc +  
RAL9005 - semi-matt

**APPLICATION** : Wicket gate limiter allows the  
wicket to be closed with lock  
bolt and closed with key,  
protecting it against  
mechanical opening.  
It has two flexible bumpers,  
which allows silently closing  
the wicket.

**PRODUCER** : Komet company – Polish  
producer of construction  
hardware for gates.



**NOTES** : All technical data are approximate values. The manufacturer reserves the right to correct the product and change the technical conditions with the possibility of making changes inside the specification. This information cannot be considered as a guarantee, nor is it legally binding in any way.