

TECHNICAL CARD

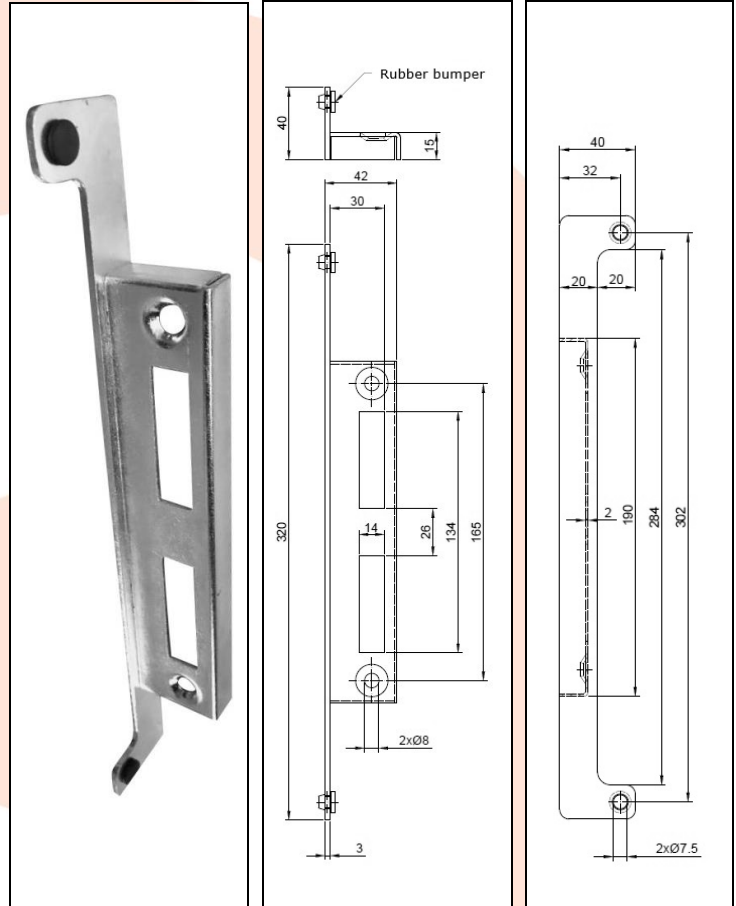
PRODUCT NAME : Wicket gate limiter 320,
galvanized

ITEM CODE : 30.416

TECHNICAL DATA : Material – S235JR steel
Weight of 1 pc – 0,29 kg
Coating – galvanic zinc
Color – white zinc

APPLICATION : Wicket gate limiter allows the
wicket to be closed with lock
bolt and closed with key,
protecting it against
mechanical opening.
It has two flexible bumpers,
which allows silently closing
the wicket.

PRODUCER : Komet company – Polish
producer of construction
hardware for gates.



NOTES : All technical data are approximate values. The manufacturer reserves the right to correct the product and change the technical conditions with the possibility of making changes inside the specification. This information cannot be considered as a guarantee, nor is it legally binding in any way.