

## TECHNICAL CARD

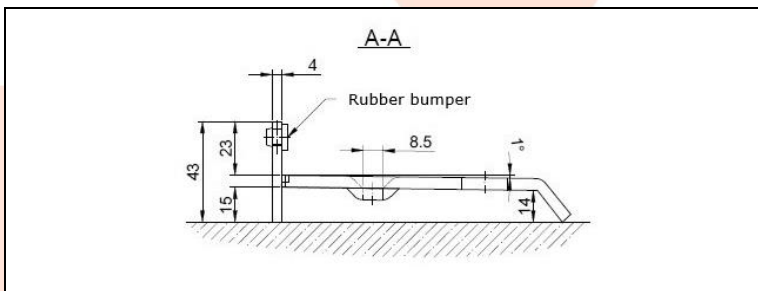
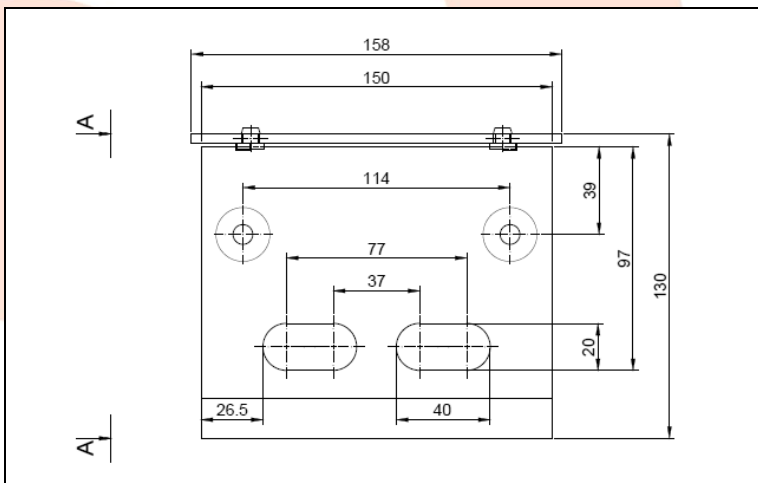
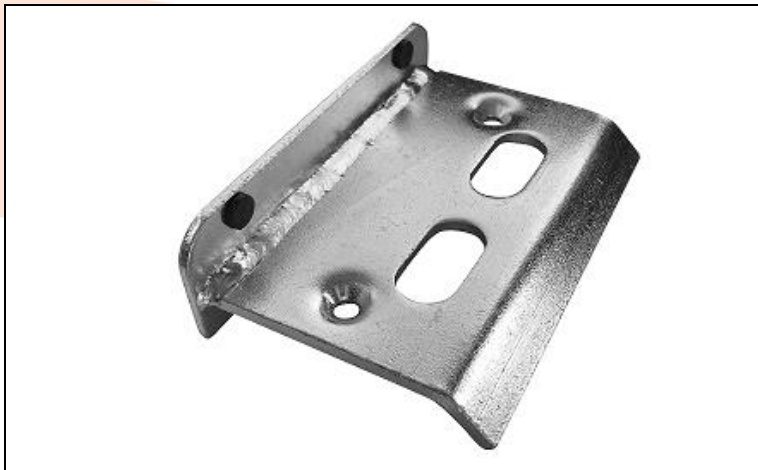
**PRODUCT NAME** : Gate limiter, galvanized  
150 x 130-97

**ITEM CODE** : 30.414

**TECHNICAL DATA** : Material – Stal S235JR  
Weight of 1 pc – 0,95 kg  
Coating – galvanic zinc  
Color – white zinc

**APPLICATION** : Gate limiter allows the gate to be closed with lock bolt and closed with key, protecting it against mechanical opening. It has two flexible bumpers, which allows silently closing the gate.

**PRODUCER** : Komet company – Polish producer of construction hardware for gates.



**NOTES** : All technical data are approximate values. The manufacturer reserves the right to correct the product and change the technical conditions with the possibility of making changes inside the specification. This information cannot be considered as a guarantee, nor is it legally binding in any way.