

TECHNICAL CARD

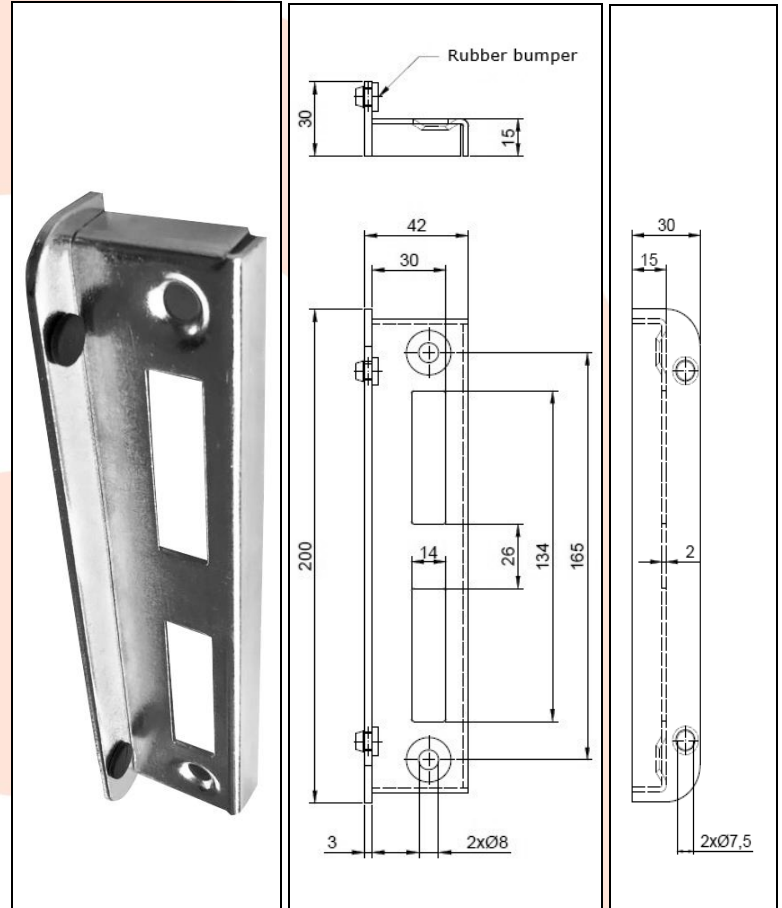
PRODUCT NAME : Wicket gate limiter,
galvanized

ITEM CODE : 30.401

TECHNICAL DATA : Material – S235JR steel
Weight of 1 pc – 0,28 kg
Coating – galvanic zinc
Color – white zinc

APPLICATION : Wicket gate limiter allows the wicket to be closed with lock bolt and closed with key, protecting it against mechanical opening. It has two flexible bumpers, which allows silently closing the wicket.

PRODUCER : Komet company – Polish producer of construction hardware for gates.



NOTES : All technical data are approximate values. The manufacturer reserves the right to correct the product and change the technical conditions with the possibility of making changes inside the specification. This information cannot be considered as a guarantee, nor is it legally binding in any way.