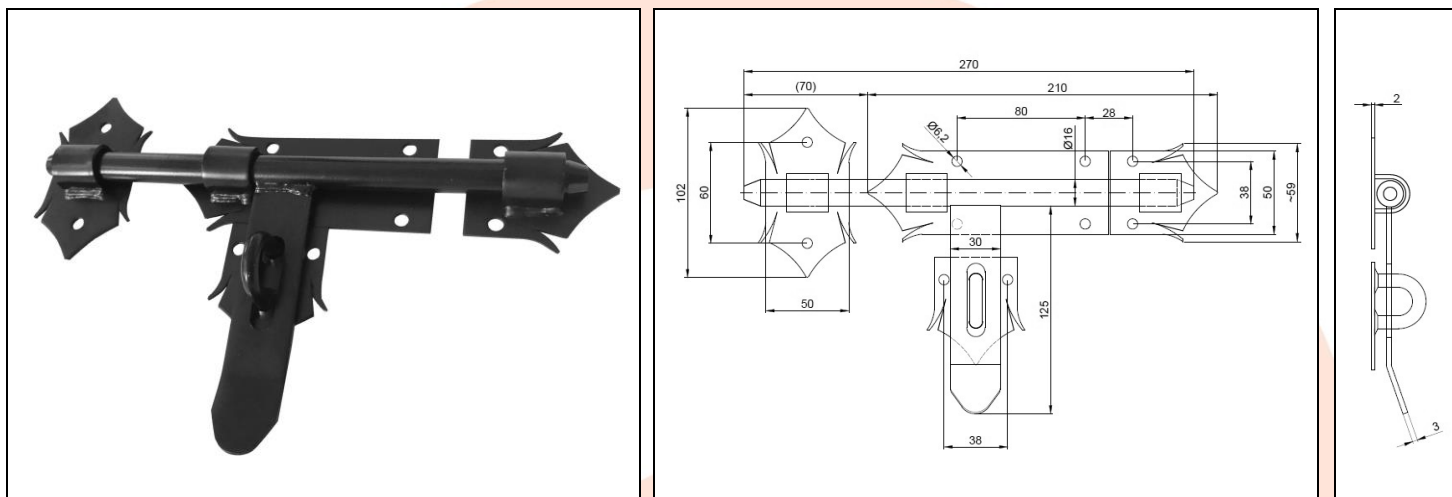


TECHNICAL CARD



PRODUCT NAME : Slide bolt 270 decorative, black

PRODUCT CODE : 30.110

TECHNICAL DATA : Material – Steel S235JR
Weight of 1 pc – 0,84 kg
Coating – anticorrosive applied by cataphoresis method
Colour – black

APPLICATION : The slide bolt is used for fitting fencing and garage doors and gates. The lock locks the gate leaves and enables protection with a padlock against opening.

PRODUCER : Komet company – Polish produce of construction hardware for gates.

NOTES : All technical data are approximate values. The manufacturer reserves the right to correct the product and change the technical conditions with the possibility of making changes inside the specification. This information cannot be considered as a guarantee, nor is it legally binding in any way.