

## TECHNICAL CARD

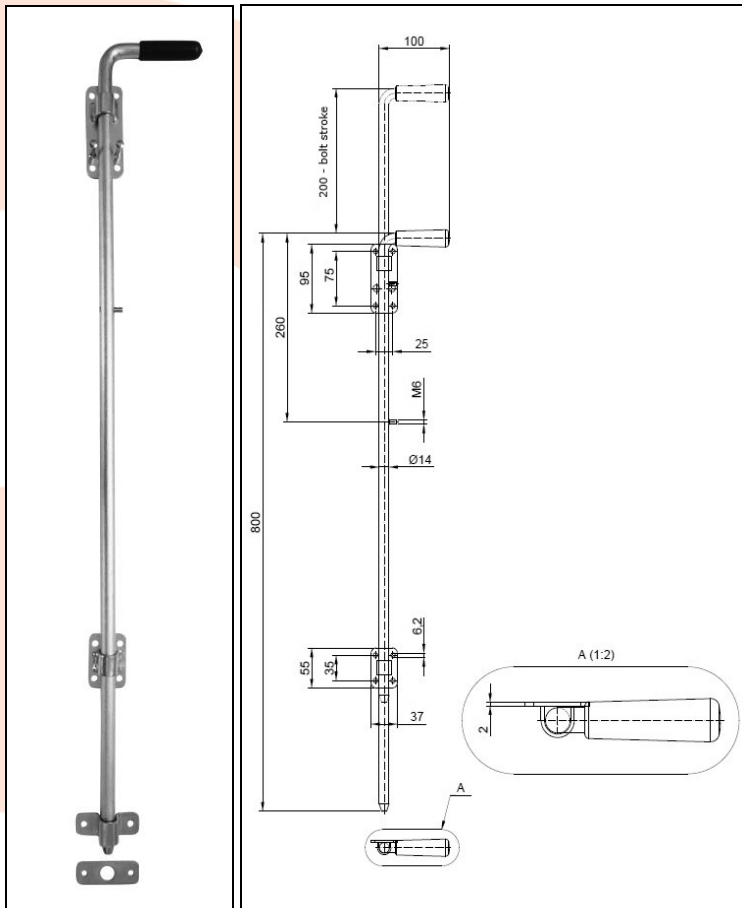
**PRODUCT NAME** : Bolt 800 split base,  
galvanized

**ITEM CODE** : 30.014

**TECHNICAL DATA** : Material – S235JR steel  
Weight of 1 pc – 1.20 kg  
Coating – galvanic zinc  
Color – white zinc

**APPLICATION** : Bolt 800 with short holder for  
fitting fencing and garage  
hinged doors/gates.  
Closure allows door leaf to be  
locked in both positions – open  
and close, with a possibility of  
using a padlock.

**PRODUCER** : Komet company – Polish  
produce of construction  
hardware for gates.



**NOTES** : All technical data are approximate values. The manufacturer reserves the right to correct the product and change the technical conditions with the possibility of making changes inside the specification. This information cannot be considered as a guarantee, nor is it legally binding in any way.