

TECHNICAL CARD

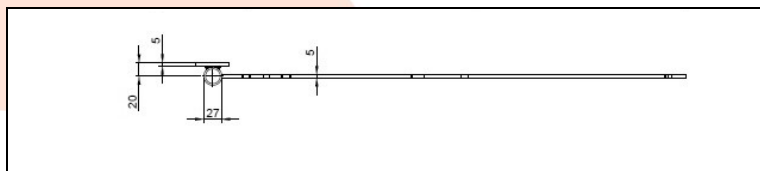
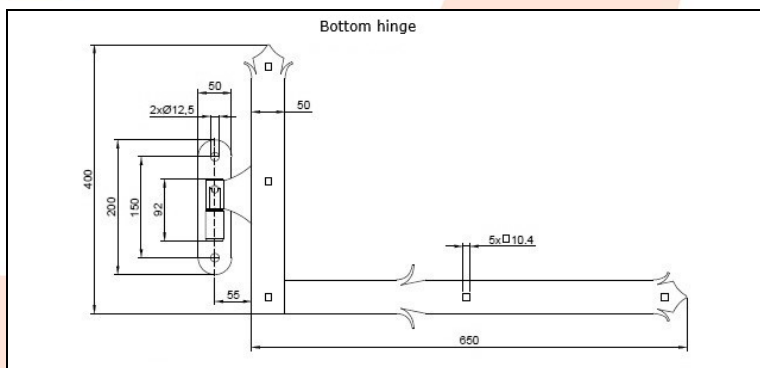
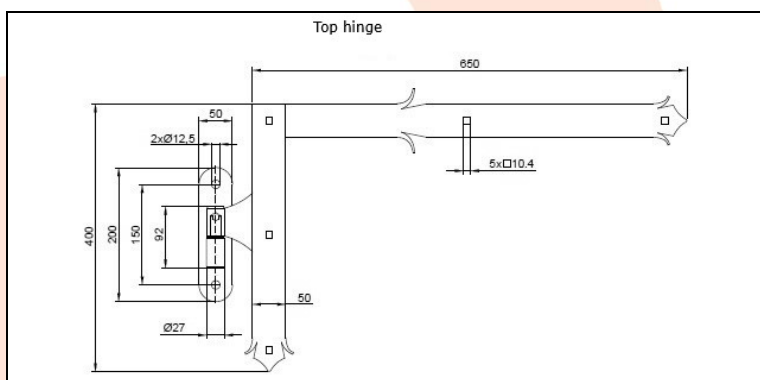
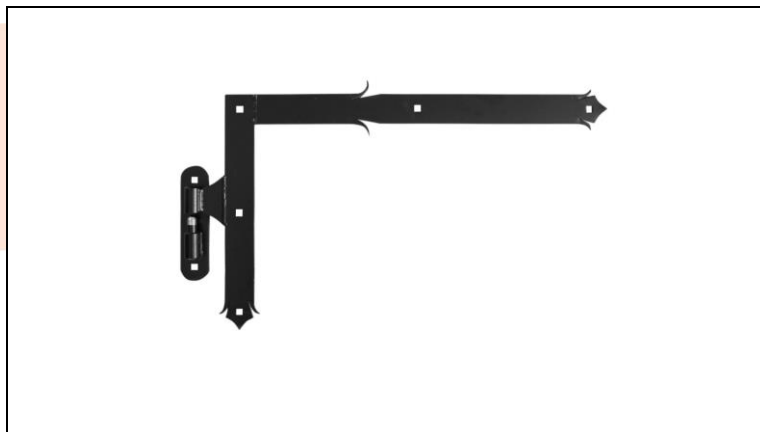
PRODUCT NAME : Angle hinge 400 x 650
decorative + pintle

ITEM CODE : 40.023

TECHNICAL DATA : Material – Steel S235JR
Weight of 1 pc – 2,90 kg
Coating – anticorrosive applied
by cataphoresis
method
Colour – black

APPLICATION : Angle hinge is used to fitting
wicket/fence and garage gates.

PRODUCER : Komet company – Polish
producer of construction
hardware for gates.



NOTES : All technical data are approximate values. The manufacturer reserves the right to correct the product and change the technical conditions with the possibility of making changes inside the specification. This information cannot be considered as a guarantee, nor is it legally binding in any way.