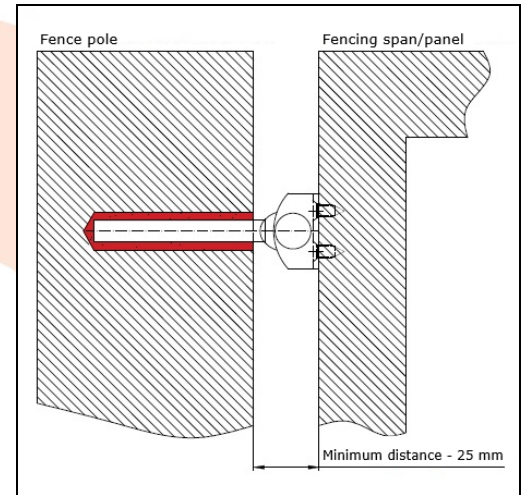
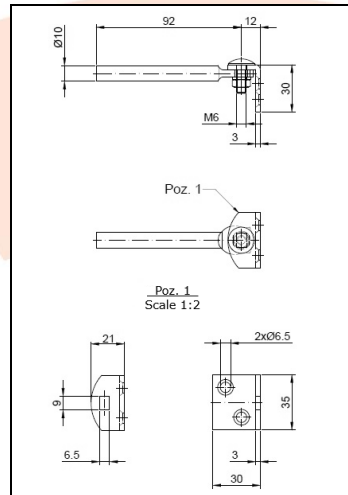


## TECHNICAL CARD



**PRODUCT NAME:** Connector of a fencing span for metal 4 pcs - set

**ITEM CODE** : 30.502

**TECHNICAL DATA :** Material – S235JR steel  
Weight of 1 pc – 0,42 kg  
Coating – galvanic zinc  
Color – white zinc

**APPLICATION** : The connector is used for mounting panels / fencing spans.

**PRODUCER** : Komet company – Polish producer of construction hardware for gates.

**INNOVATION** : Product protected by patent low W.123063

**NOTES** : All technical data are approximate values. The manufacturer reserves the right to correct the product and change the technical conditions with the possibility of making changes inside the specification. This information cannot be considered as a guarantee, nor is it legally binding in any way.