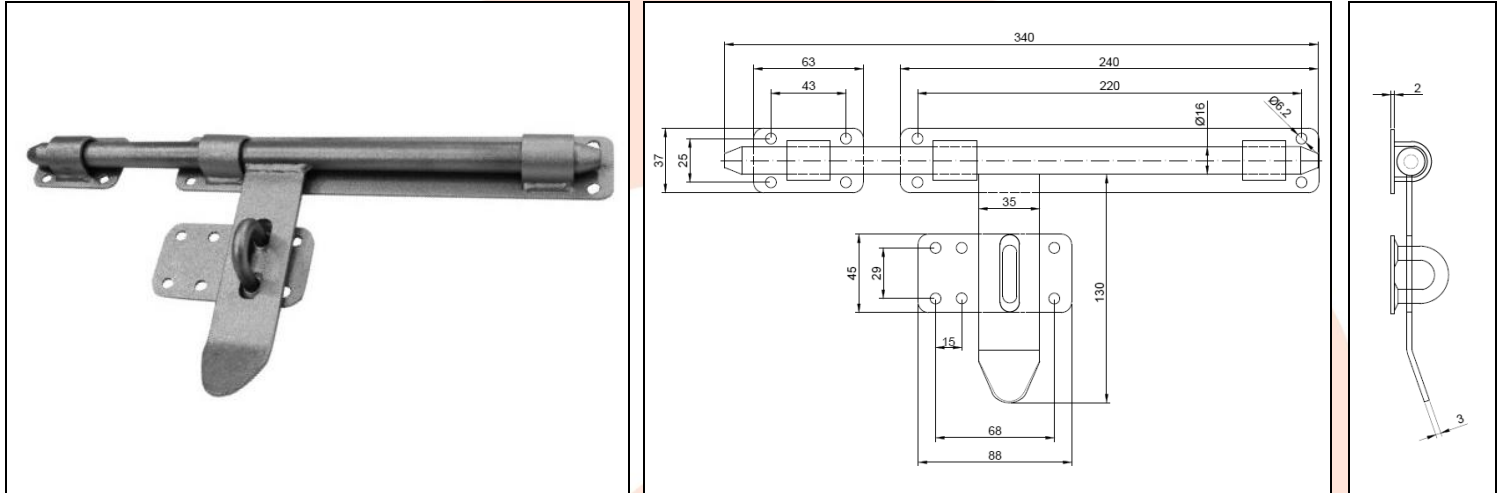


## TECHNICAL CARD



**PRODUCT NAME** : Narrow slide bolt 340, not painted

**ITEM CODE** : 30.107

**TECHNICAL DATA** : Material – Stal S235JR  
Weight of 1 pc – 1,00 kg  
Coating – scale-free, shot blasting

**APPLICATION** : The slide bolt is used for fitting fencing and garage doors and gates. The lock locks the gate leaves and enables protection with a padlock against opening.

**PRODUCER** : Komet company – Polish produce of construction hardware for gates.

**NOTES** : All technical data are approximate values. The manufacturer reserves the right to correct the product and change the technical conditions with the possibility of making changes inside the specification. This information cannot be considered as a guarantee, nor is it legally binding in any way.