

TECHNICAL CARD

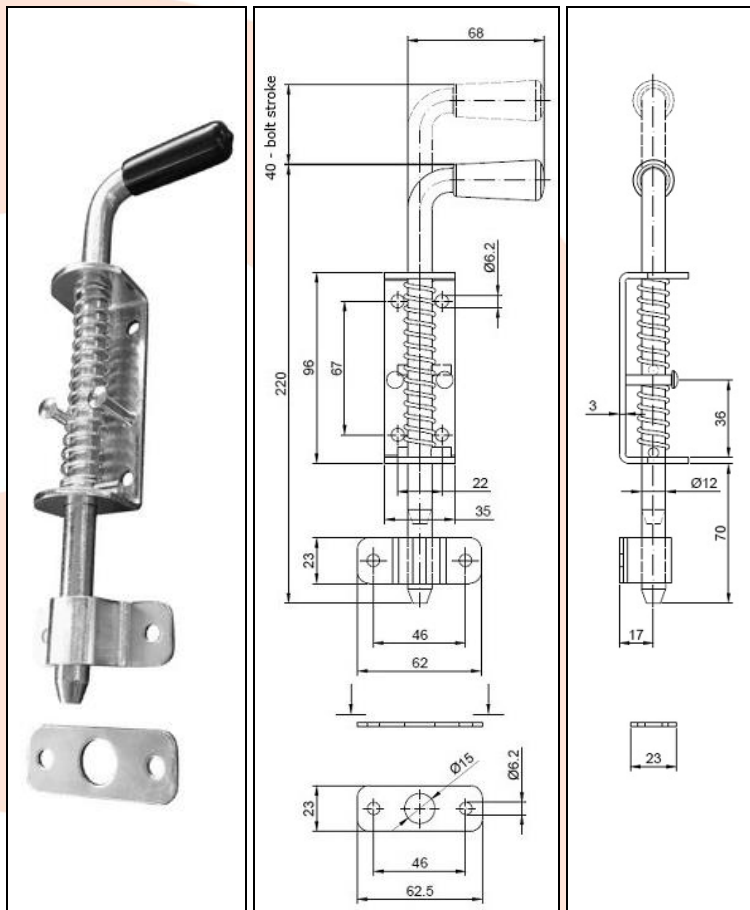
PRODUCT NAME : Bolt 220 spring, galvanized

ITEM CODE : 30.004

TECHNICAL DATA : Material – S235JR steel
Weight of 1 pc – 0.43 kg
Coating – galvanic zinc
Color – white zinc

APPLICATION : Bolt for fitting fencing and garage hinged doors/gates. Closure allows door leaf to be locked in both positions – open and close.

PRODUCER : Komet company – Polish produce of construction hardware for gates.



NOTES : All technical data are approximate values. The manufacturer reserves the right to correct the product and change the technical conditions with the possibility of making changes inside the specification. This information cannot be considered as a guarantee, nor is it legally binding in any way.