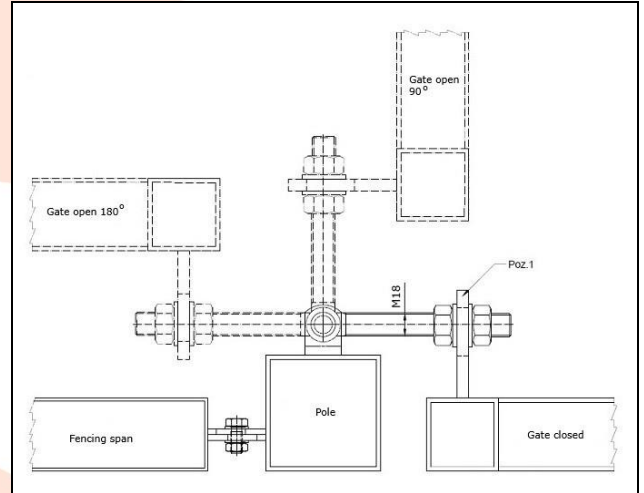
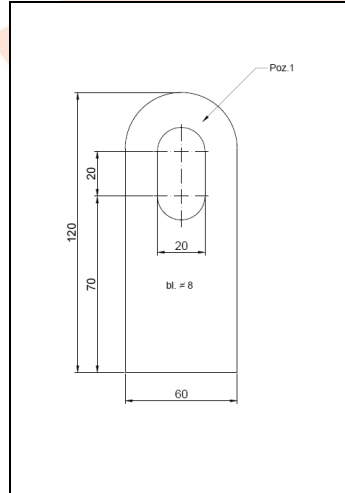


TECHNICAL CARD



PRODUCT NAME : Element - opening angle 180° L-120 to M18

ITEM CODE : 18.006

TECHNICAL DATA : Material – Steel S235JR
Weight – 0,38 kg
Coating – scale-free, shot blasting

APPLICATION : The element allows to open the wicket / gate up to 180 degrees.

PRODUCER : Komet company – Polish produce of construction hardware for gates.

NOTES : All technical data are approximate values. The manufacturer reserves the right to correct the product and change the technical conditions with the possibility of making changes inside the specification. This information cannot be considered as a guarantee, nor is it legally binding in any way.